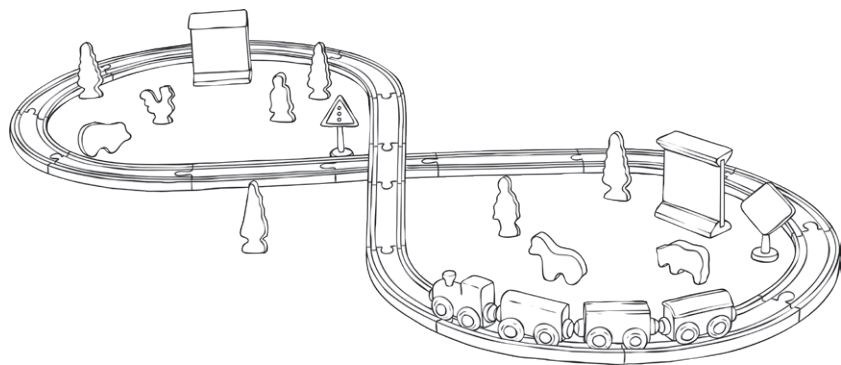


Play Scenario Cards

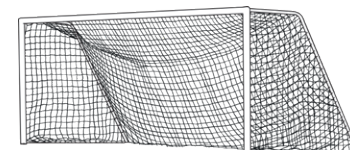
Clare and Leo are playing with trains. Clare wants to break the track up and start again but Leo wants to carry on adding to the track they have already started. What could they do?



twinkl.com

Play Scenario Cards

Mina and Alexa are playing football. Both girls want to have their goal at the far end of the garden as there is a downhill slope and it is easier to score goals at that end. What could they do?



twinkl.com

This resource is fully in line with the Learning Outcomes and Core Themes outlined in the PSHE Association **Programme of Study**.

Play Scenario Cards

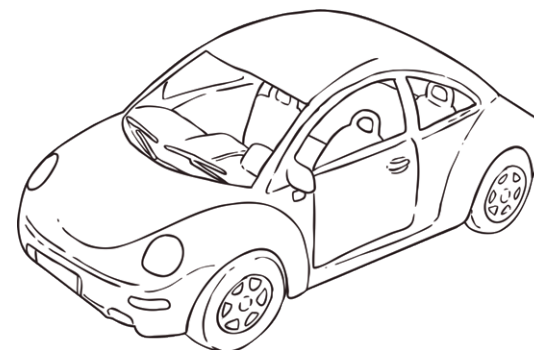
Jacob and Ayesha are playing with the doll's house. Jacob wants to turn the living room into a bedroom but Ayesha likes the rooms as they are. What could they do?



twinkl.com

Play Scenario Cards

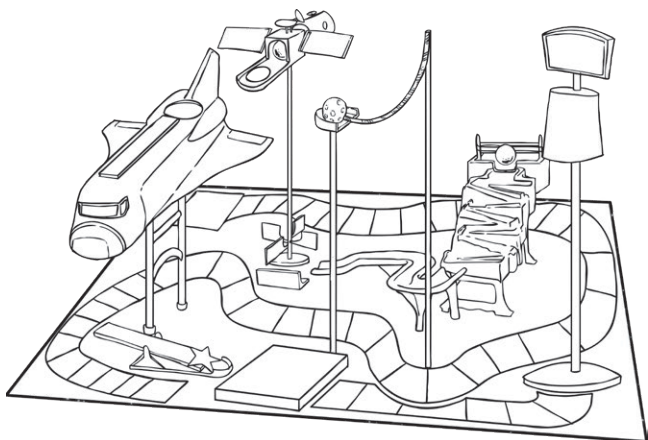
Cheyenne has been playing with her cars. Ben asks if he can have a turn with one of them. Cheyenne says he can have a go but then asks for it back really quickly. What could they do?



twinkl.com

Play Scenario Cards

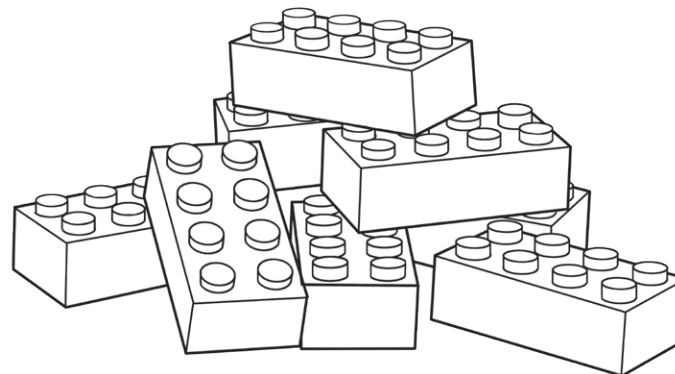
Beata and Jamal are playing a board game. They both want to use the yellow counter. What could they do?



twinkl.com

Play Scenario Cards

Panchali and Anayn are playing with building bricks. Panchali wants to build a zoo but Anayn is making a park. What could they do?



twinkl.com